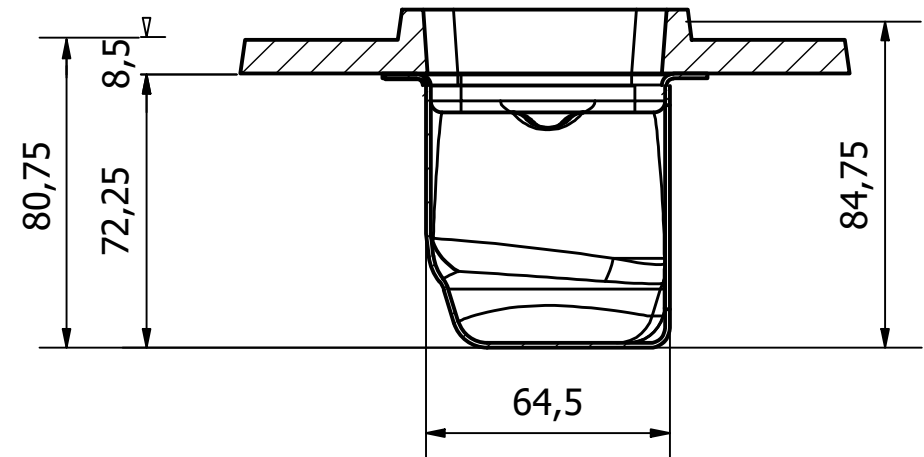


| Artikelnummer | Drainmaat | X | Y |
|---------------|-----------|-----|------|
| ED5.SS.0700 | 700 | 709 | 813 |
| ED5.SS.0800 | 800 | 809 | 913 |
| ED5.SS.0900 | 900 | 909 | 1013 |

E-E (1 : 2)



| | | | | | |
|---|--------------------------|--|-------------|---|--|
|  | | Group Nivelles N.V. Ambachtsweg 14 3890 Gingelom Tel: +32 (0) 11 68 96 68 Fax: +32 (0) 11 68 50 86 E-mail: info@groupnivalles.com | |  | |
| PROJECT:ED5.SS.0X00 | Tol: ISO-2768-C | Datum: 22/05/2024 | A4 | | |
| Omschrijving:ED5.SS.0X00 | Tekenaar: Jonas | Materiaal: | Schaal: 1/8 | | |
| Goedkeuring: | Tekening:ED5.SS.0X00.dwg | | Rev.4 | | |